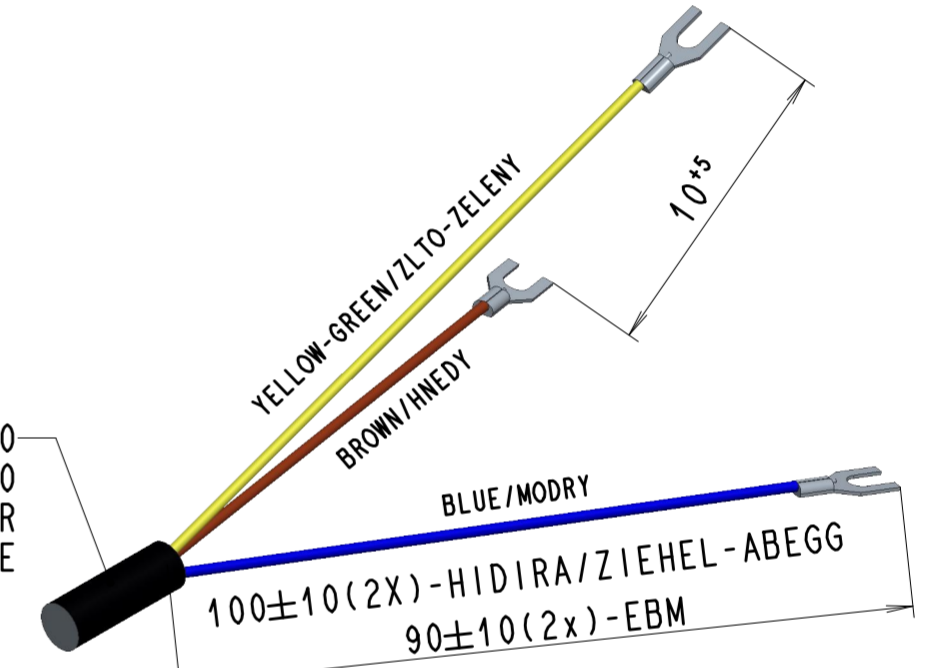
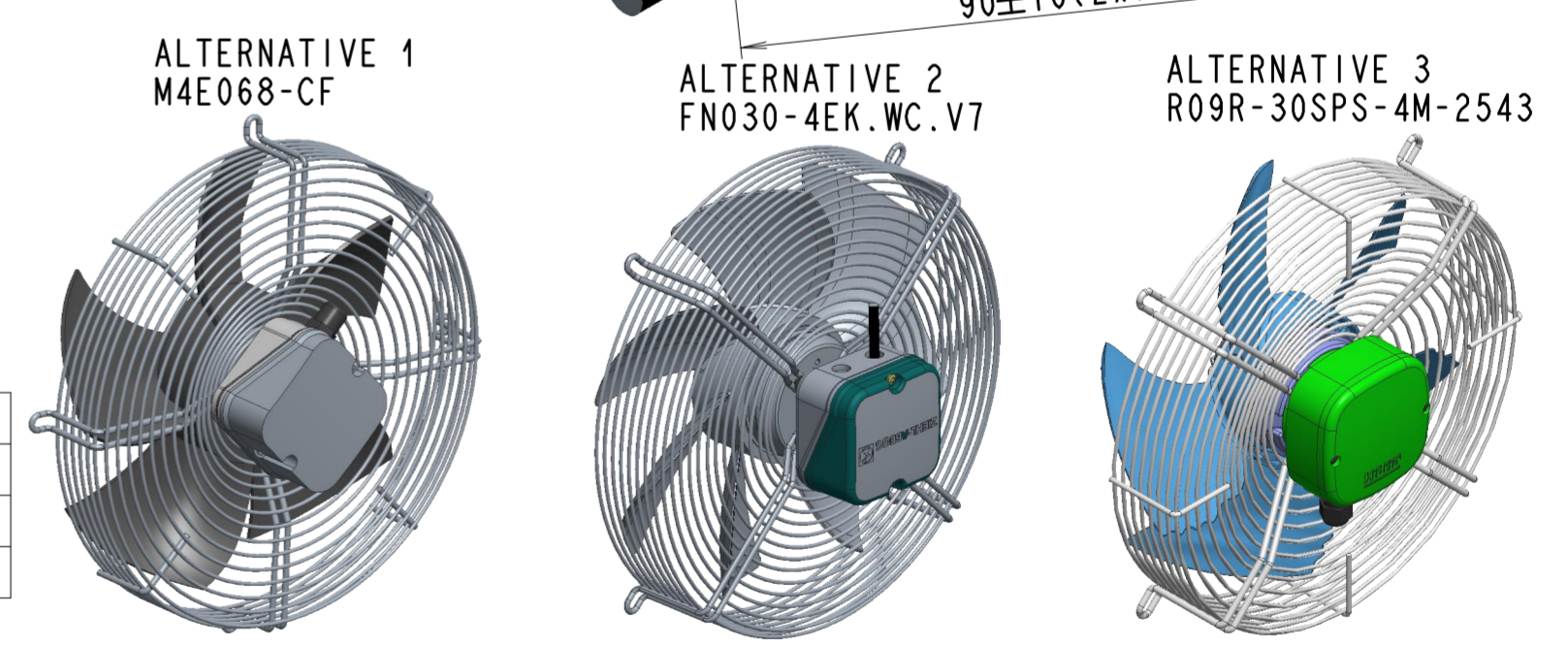


CABLE LENGHT=EBM:630mm±10, HIDRIA:630mm+10, ZIEHEL-ABEGG:550mm+20
 KABEL DLZKY=EBM:630mm±10, HIDRIA:630mm+10, ZIEHEL-ABEGG:550mm+20
 3x FORKS TYPE Z FOR EBM, ZIEHEL-ABEGG AND HIDRIA, AMP CODE:130517-0 OR SIMILAR
 3x VIDLICKA TYP Z PRE EBM, ZIEHEL-ABEGG A HIDRIA, AMP KOD:130517-0 ALEBO PODOBNE



SUPLIER	WIRE SIZE CABLE (mm2)
EBM	min 0.52
ZIEHEL-ABEGG	min 0.52
HIDRIA	min 1



PRODUCER	MOTOR	CODE	TENSION (V)	FREQUENCY (Hz)	INPUT POWER (W)	CURRENT (mA)	INS.CLASS	rpm at 230V
EBM-PAPST	M4E068-CF	S4E300-AS72-88	230	50/60	72/90	320/400	(B)	1320/1500
ZIEHL-ABEGG	FN030-4EK.WC.V7	153422/002	230	50/60	90/110	380/500	155°C (F)	1230/1360
HIDRIA	R09R-30SPS-4M-2543	0309-4-1187	230-240	50/60	65/90	300/400	155°C (F)	1400/1500

ECM	REVISION	LO BY	DATE
519168	1 ADDED ALTERNATIVE DESIGN	PS	13.04.2012
519834	2 SUPPLIER MODEL NAMES ADDED TSS STANDARD INSTEAD PIGTIP	PS	04.09.2012
49124	3 ADDED ALTERNATIVE 3 (HIDRIA)	B7 MK	27.03.2018
C00286	4 UPDATED NOTES	AK MS	27.02.2020

NOTES:
 1. THERMALY PROTECTED
 2. FAN MUST BE BALANCED
 3. MOTOR FAN 1-PHASE

POZNAMKY:
 1. S TEPELNOU OCHRANOU
 2. VRTULA MUSI BYT VYVAZENA
 3. MOTOR VENTILATOR 1-FAZA

MATERIAL: SEE NOTES
 POZRI POZNAMKY
 IN COMPLY WITH TSS 002420
 PODLA TSS 002420

embraco Nidec

TITLE, DOCUMENT TYPE:
 MOTOR FAN 300 (SINGLE PHASE)
 MOTOR VENTILATOR 300 (JEDNOFAZA)
 230V / 50/60Hz

GEN. TOL.: ±0.5
ANG. TOL.: ±1.5°
SCALE: 1:5
UNIT: mm
REPLACE: A2
No.: 1451089
SHEET NUMBER: 1 OF 1

ECM: 514042 **DATE:** 17.07.2009